

Solutions for electrical safety test systems

A 1674 19" Rack housing

Solutions for electrical safety test systems



The A 1674 compact desktop enclosure is designed for integration of the CE Multitester instrument, or/and A 1600 CE Switch 5kV. Its design enables fast and simple integration of measuring components.

KEY FEATURES

- Desktop design;
- Robust and durable construction;
- Ready for integration of CE Multitester instrument, or/and A 1600 CE Switch 5kV.

STANDARDS

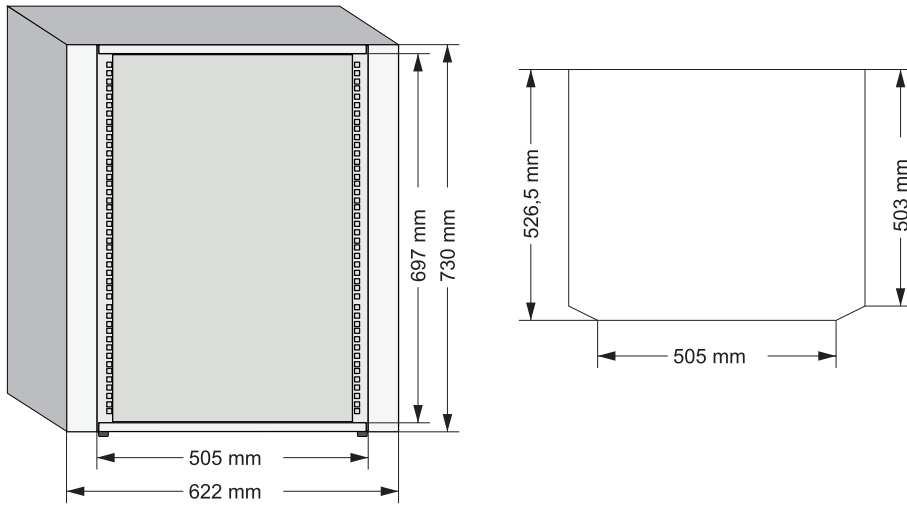
- **Safety**
- EN 50191

TECHNICAL SPECIFICATION

General

Weight 17,4 kg (rack without back cover) / 3,4 kg (back cover)

Dimensions




ORDERING INFORMATION



Standard set A 1674

- A 1674 19" Rack housing
- A 1695 Grounding cable, 2 m

OPTIONAL ACCESSORIES

Photo	Order No.	Acc. decription
	A 1584	19" Rack mount adapter for MI 3394 CE MultiTesterXA/XS

METREL D.D.

Measuring and Regulation Equipment Manufacturer
Ljubljanska 77, SI-1354 Horjul, Slovenia
T +386 (0)1 75 58 200, F +386 (0)1 75 49 226
metrel@metrel.si, www.metrel.si

Note! Photographs in this catalogue may slightly differ from the instruments at the time of delivery.
Subject to technical change without notice.